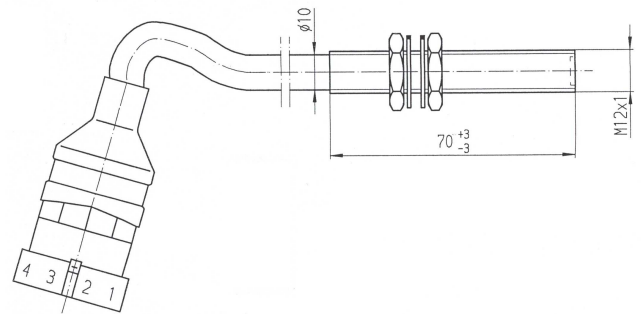


electronic revolution sensor

DW20 / DW60

DW20 / DW60



Description

The unit is used to control the revolutions of drives

The DW20 resp. DW60 is an electronic sensor with integrated evaluation unit which allows rotating drivelines to be monitored. As such, the sensor is, among other things, able to collect the rotation data of multi-spline profiles from a distance up to 5mm. Here, the spines serve the purpose of transmitters so that no additional special pulse rings are required.

The sensor is provided with a fixed threshold (customer specific). Upon shortfall of this threshold, the output will be pulled to ground. Warning devices can be actuated with the help of the alarm. Thanks to this early detection, increased wear and the concomitant costs are avoided, and the life is extended. Production downtimes are also reduced, as a result of which a higher degree of certainty of planning is ensured. Further details are short circuit proof, pole safe and thermal control. Moreover, the sensor allows the pulse signal given by the transmitters to be used for additional evaluations, such as the intermediate measurement of speed.

Owing to the compact and rough case and the ease of installation and operation of the unit a high degree of reliability is ensured.

Application fields

In all technical applications in which drives have to be observed, the DW20 / DW60 is a valuable aid. Here are a few examples:

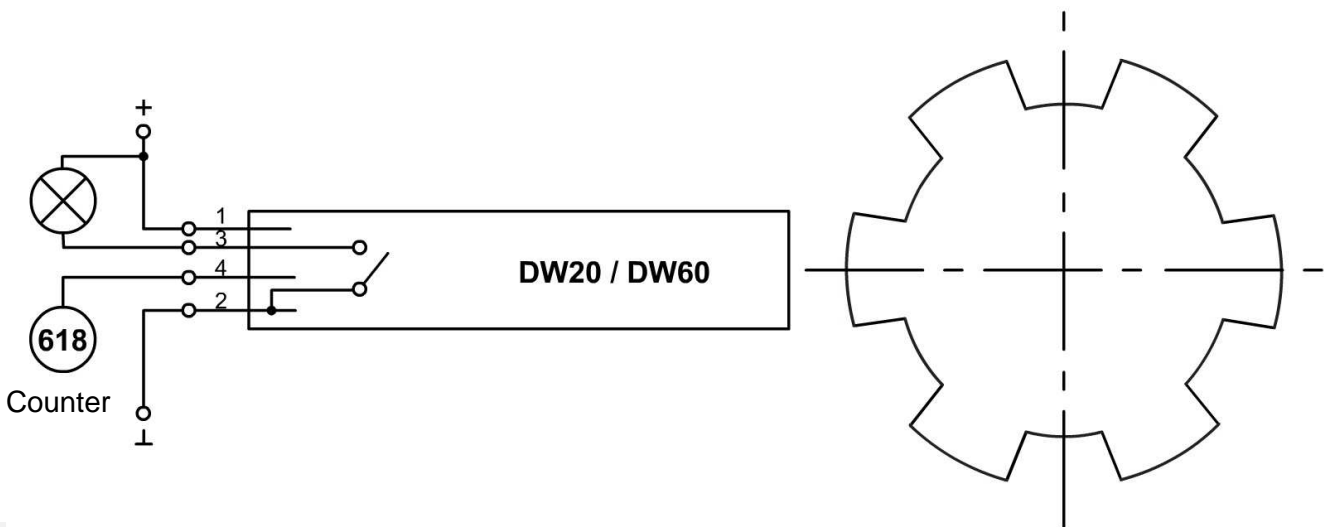
- multi-spline profiles of agricultural commercial vehicle
- during the development of machine- and tractor technology

electronic revolution sensor

DW20 / DW60

The technical design of the DW20 / DW60 varies according to the requirements that you place on the device. Owing to its flexible structure, holthausen elektronik GmbH can fulfill customer wishes and produce specific versions. Should you have any questions, we are always at your service.

Connection circuit diagram



Technical data

operation voltage	10V to 16V DC
temperature range	-20°C to +80°C
type of protection	IP 66
case	stainless steel (rustproof), round bar with M12 x 1 male thread
case dimensions	70 (resp. 80) x 12,5mm (length x Ø) without cable and plug
mounting	2 Sechskantmuttern M12 x 1, mit Zahnscheiben, Ø 12,5mm
distance	between guard and transmitter: max 5mm
connection cable	4 x 0,25mm ² verschiedene Längen im Kunststoffschutzrohr fest angeschlossen, AMP-Steckverbinder
sensor	inductive revolution sensor
impuls output	rectangular pulse with a voltage amplitude from 0 to 10V, load impedance > 3Kohm
switching threshold	customer specific, e.g. 20Hz oder 60Hz
switching output	switching output against ground (open collector)
switching power	max 12V, 1A (12W)